

CLASSIC FORMULA 3

INDUCTION RESTRICTOR TO HAVE THROTTLING FLANGE 3mm LONG WITH PARALLEL HOLE 1600cc

21.5 mm dia, 2000cc 24 mm dia.

MINIMUM WHEELBASE - 200 cm

MINIMUM TRACK - 120 cm

TYRES - AVON SLICK

SILENCER - MANDATORY CF3 UNIT

WEIGHT - NO LESS THAN 440kg

1600 cc/2000cc CARS

FROM 1.1.1980 - 31.12.1980 - WEIGHT 455kg

1600cc

FRONT 13" 7304

REAR 13" 7305

WETS FREE

2000cc

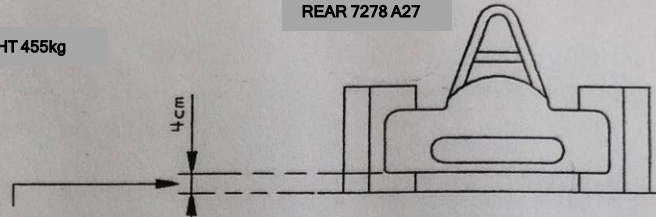
FRONT 17342 A37

REAR 17343 A37

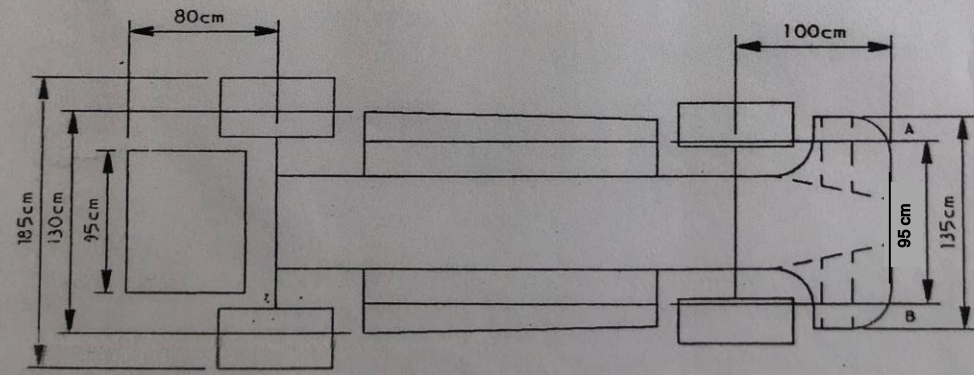
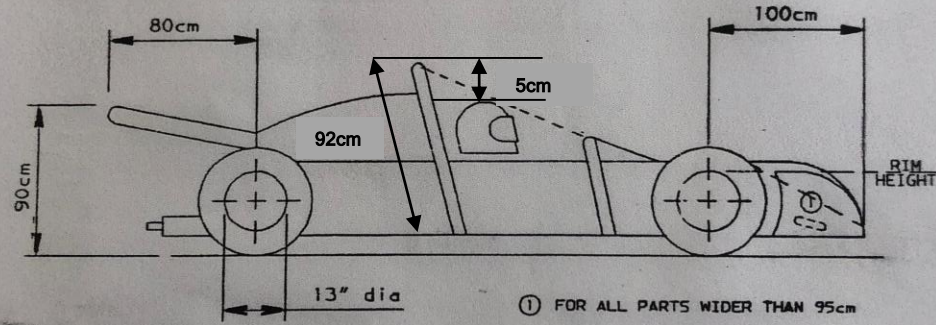
WETS

FRONT 7277 A27

REAR 7278 A27



NO PARTS OF BODYWORK/PODS MAY PROJECT BELOW MANUFACTURERS BOTTOM OF MONOCOQUE/CHASSIS.



A AND B - PARTS THAT MUST NOT PROTRUDE ABOVE FRONT RIM HEIGHT